



apikyan packaging s.a.

0508

CODE

BORD. ITALIANA

UVAG

TYPE

COLOUR

3000

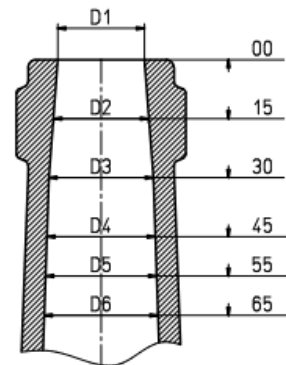
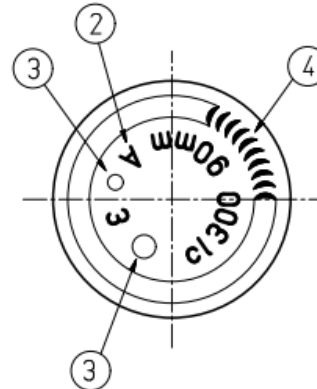
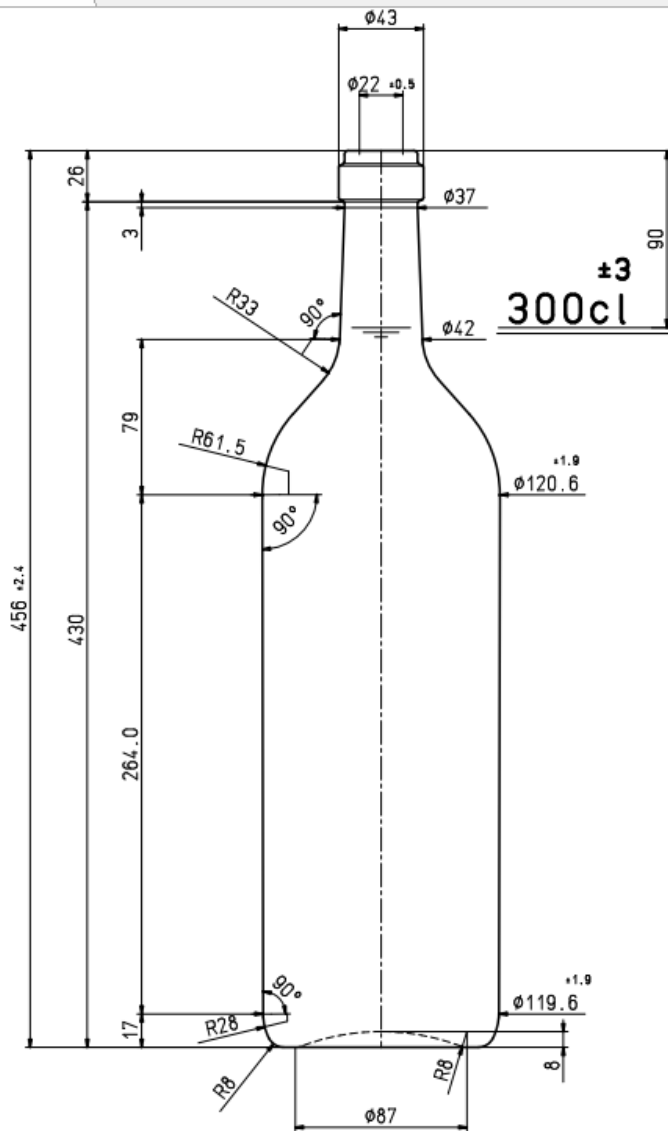
1750

CAPACITY ml

WEIGHT grs

320

P/P



D1	$\phi 22.0 \pm 0.5$
D2	$\phi 24.0 \pm 1.0$
D3	$\phi 26.5 \pm 1.0$
D4	$\phi 27.5 \pm 1.5$
D5	$\phi 28.5 \pm 1.5$
D6	$\phi 29.5 \pm 2.0$
D1.....D6 SONO DIAMETRI MEDI ($\phi_{MIN} + \phi_{MAX}$) 2	

Industrial area of Sindos
Zone C, Block 47
570 22 Thessaloniki-Greece

T: +30 2310 570 100
F: +30 2310 570 149

W: apikyan.com
E: info@apikyan.com



Certified with